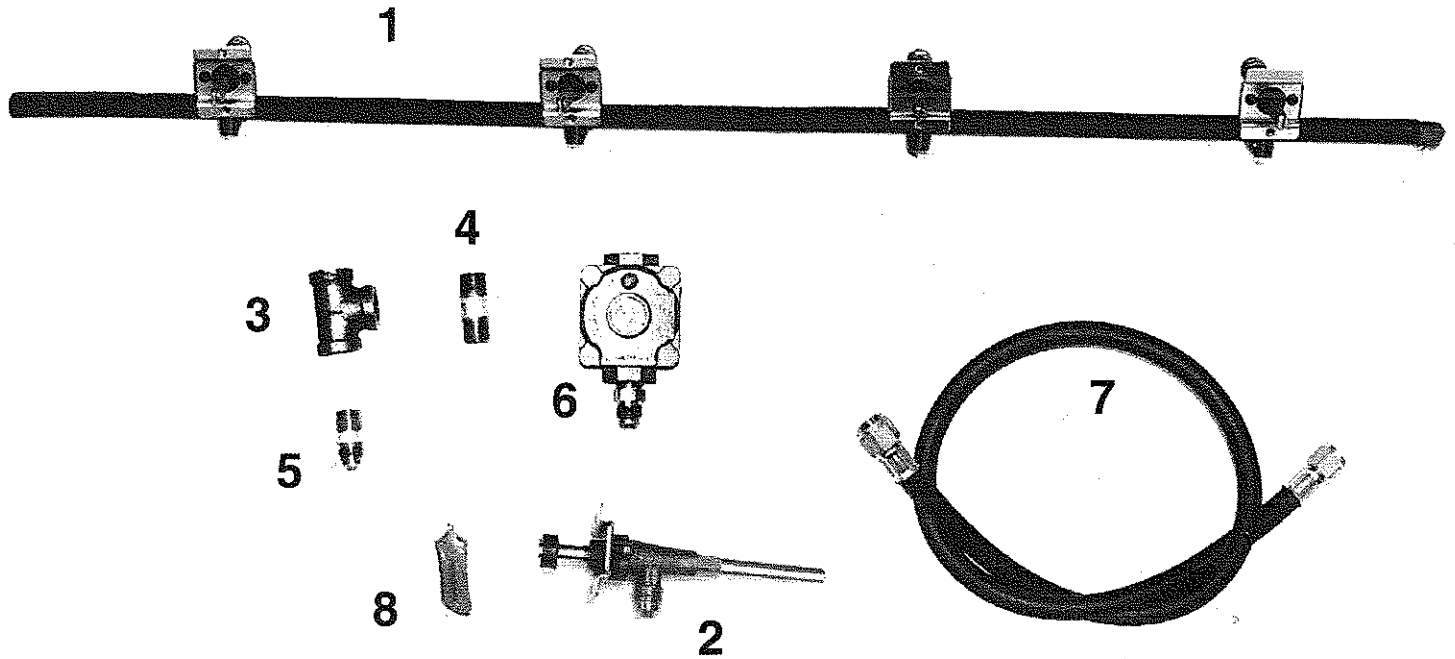


# Amana 30 Natural Gas Conversion Instructions



## PARTS NEEDED FOR CONVERTING FROM LP TO NG

Part No.	Qty	Description
1	1	Main Burner Valve & Manifold Assembly with Valves (NG)
2	1	Side Burner & Valve Assembly - 12K BTU (NG)
3	1	Tee Fitting - Galvanized 3/8" Flare
4	1	Nipple Pipe 3/8" NPT x 1.5"
5	1	Connector 3/8" MNPT x 3/8" Flare
6	1	Regulator 3/8" FNPT Threads (NG)
7	1	Hose 27" - 3/8" Flare Both Ends for Side Burner (NG)
8	1	Sealant Pipe (4ml)
51023001	1	Amana 30 NG Conversion Instructions

### Tools Needed:

Phillips head screwdriver  
 1/4" nut driver \*  
 Adjustable wrench

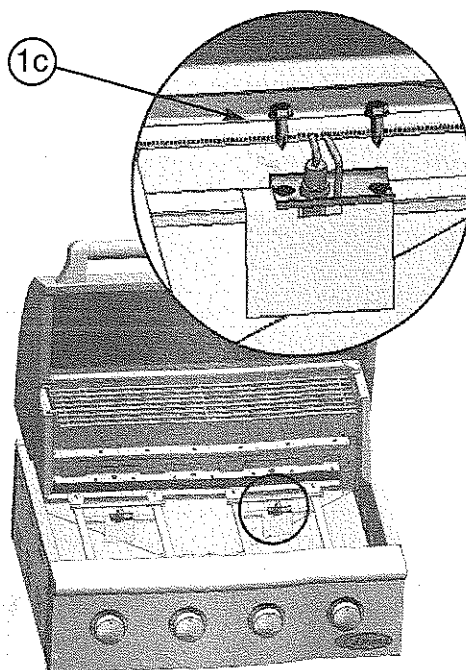
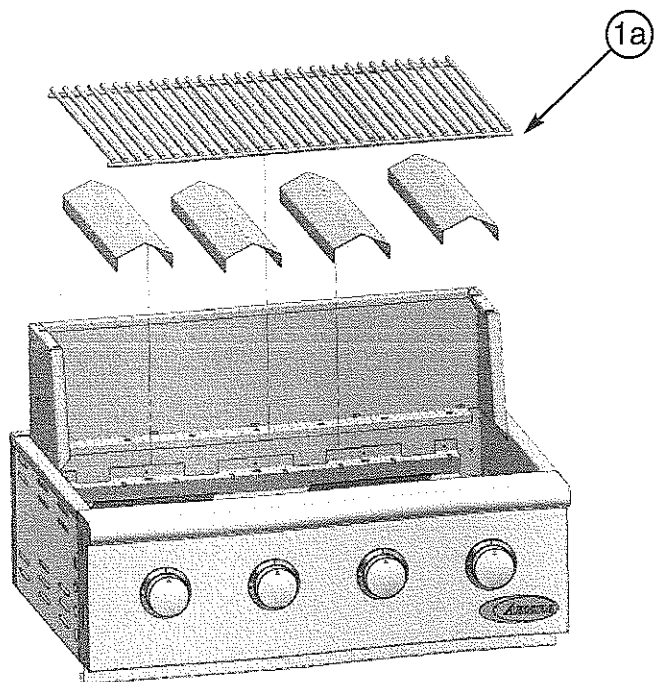
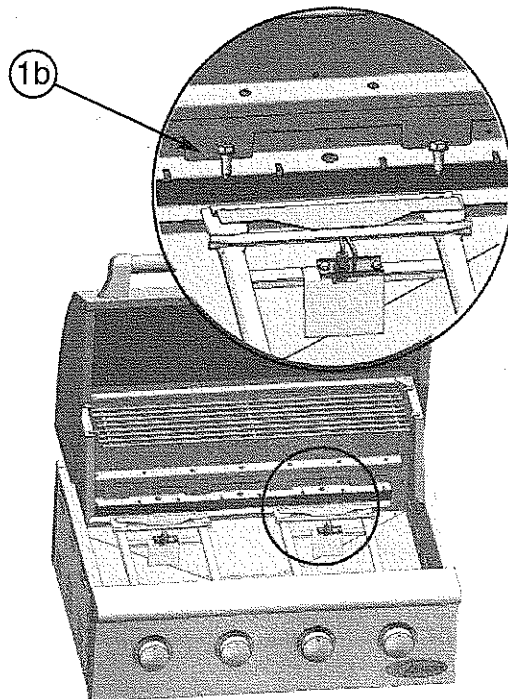
\* 1/4" socket set with extension can also be used.

# Amana 30 Natural Gas Conversion Instructions

## Step One

Be sure gas supply is off, the knobs are in the off position and the grill is cool.

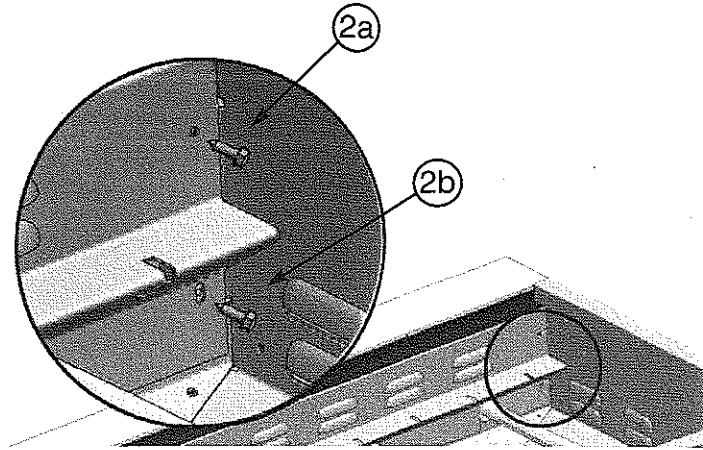
- a. Remove cooking grates and flavor grids
- b. Remove the screws holding the rear heat shield in place. Lift out rear heat shield and set aside.
- c. Remove the two screws holding each igniter and igniter grease shield in place.
- d. Lay igniter on floor of grill.



# Amana 30 Natural Gas Conversion Instructions

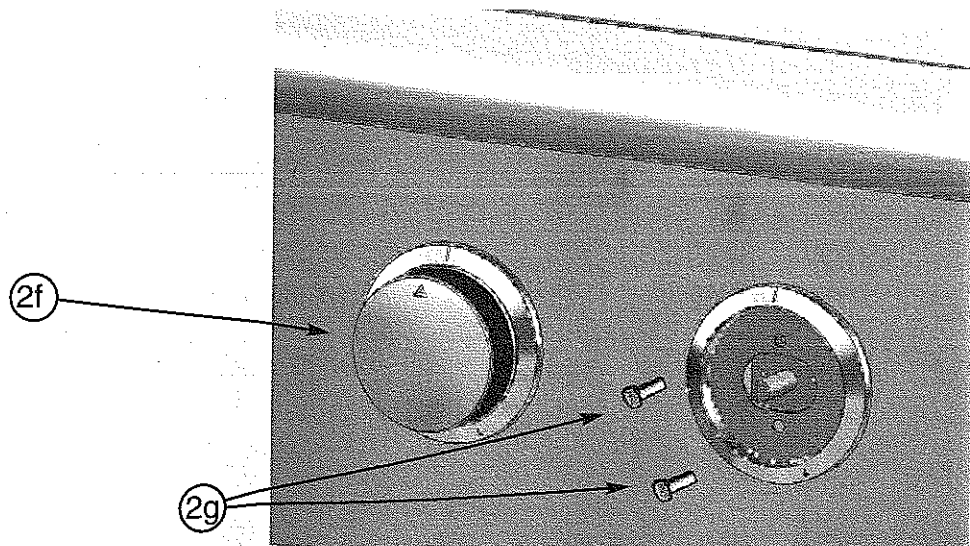
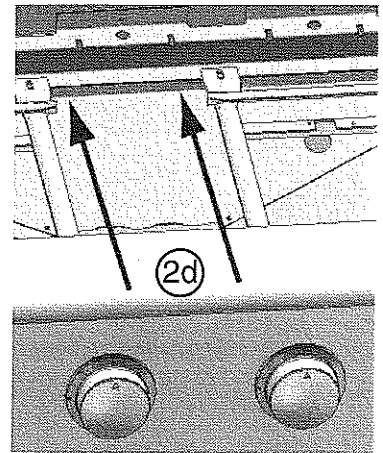
## Step Two

- a. Remove the screw on each side of the front heat shield located above the lip.
- b. Remove the screws at the bottom of the front heat shield located under the lip.
- c. Lift and completely remove the front heat shield from the grill body.
- d. Grasp and push the burner(s) towards the rear of the grill to detach the burner from the valves.



**Note: You will have 2 separate burner assemblies to detach.**

- e. Completely remove the burners from the grill body.
- f. Remove the control knobs from the front of the grill. They should pull off by hand.
- g. Remove the two (2) screws holding each bezel in place. Remove each bezel from the front control panel.

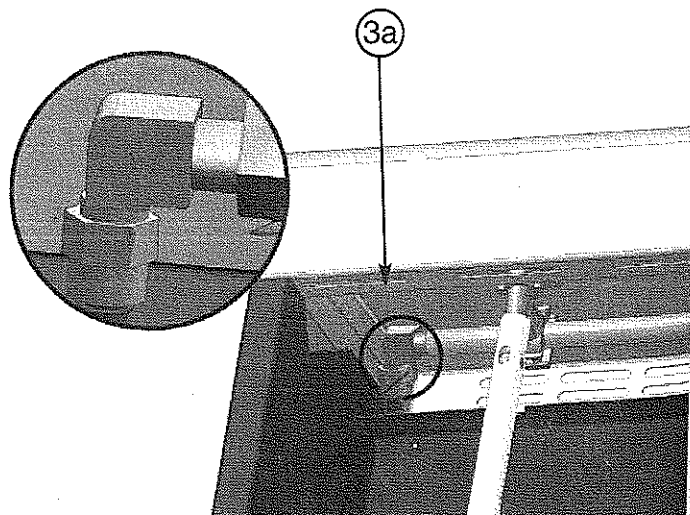


# Amana 30 Natural Gas Conversion Instructions

## Step 3

- a. Disconnect the right flex line from the manifold using the adjustable wrench. This will free up the LP manifold.
- b. Remove LP manifold from the grill body.

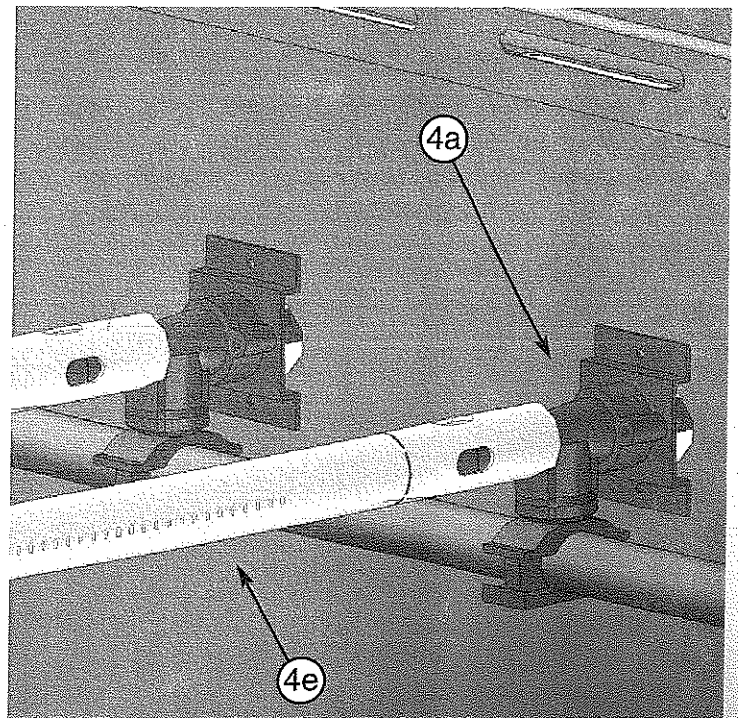
**You are now ready to  
install the new NG manifold**



# Amana 30 Natural Gas Conversion Instructions

## Step Four

- a. Start by placing the new NG manifold into the grill body with the control knob stems facing towards the front of the grill and the valve facing towards the inside of the grill.
- b. Reattach the right flex line of the grill to the new NG manifold using the adjustable wrench. (See Step 3a)
- c. Reattach the bezels to the NG manifold. (See Step 2g)
- d. Reattach the control knobs onto the stems. (See Step 2f)
- e. Place burners back into the grill body, making sure to line up the burners over the valves on the NG manifold.
- f. Reattach igniters and igniter grease shields. (See Step 1c)
- g. Reattach the rear heat shield. (See Step 1b)
- h. Reinstall the flavor grids and cooking grates. (See Step 1a)



# Amana 30 Natural Gas Conversion Instructions

## Step Five

### Installing the NG regulator

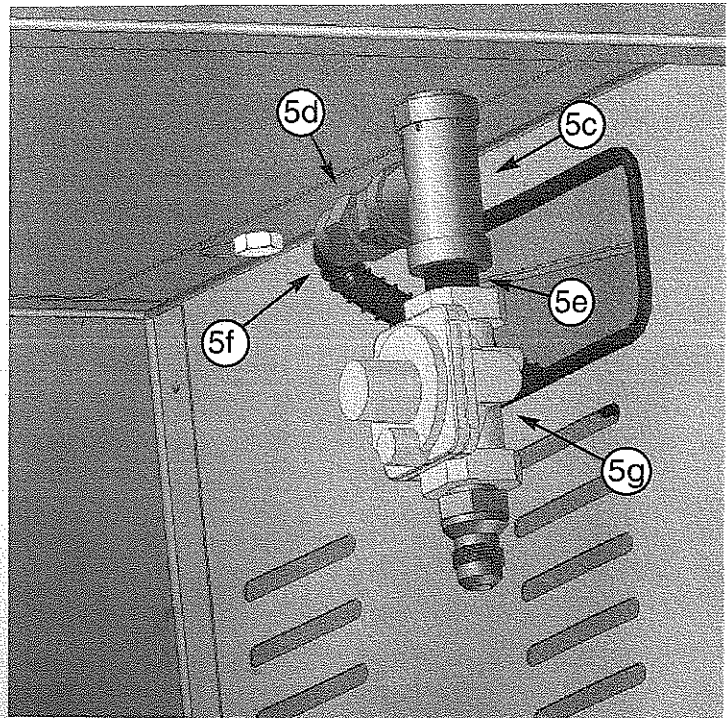
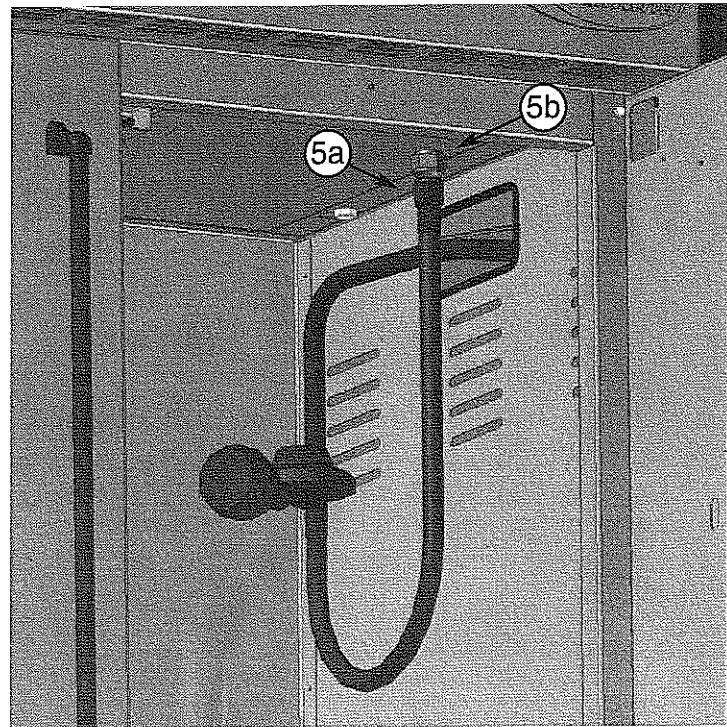
- a. Remove the LP regulator from the main gas pipe using an adjustable wrench. Located inside the cart on the bottom of the grill head. Remaining end still connected will be removed later.
- b. Remove the flare brass fitting from main gas pipe.

**Note:** For the following steps, the supplied pipe sealant needs to be applied to all indicated fittings, sparingly, before the fittings are screwed in. Pipe sealant should not be used on any flared ends.

- c. Attach the "T" connector to the main gas pipe. (apply pipe sealant) Tighten with wrench.
- d. Attach the 3/8" to flare fitting to the side of the "T" connector. (apply pipe sealant to the non flared end) Tighten with wrench.
- e. Attach the 3/8" nipple to the bottom of the "T" connector, applying pipe sealant.
- f. Attach one end of the supplied hose 27" to the flared fitting on the side of the "T" connector. DO NOT USE PIPE SEALANT.

**Note:** Pay attention to the arrow on the NG regulator indicating direction of gas flow. The arrow should point up.

- g. Attach the NG regulator to the nipple, applying pipe sealant.



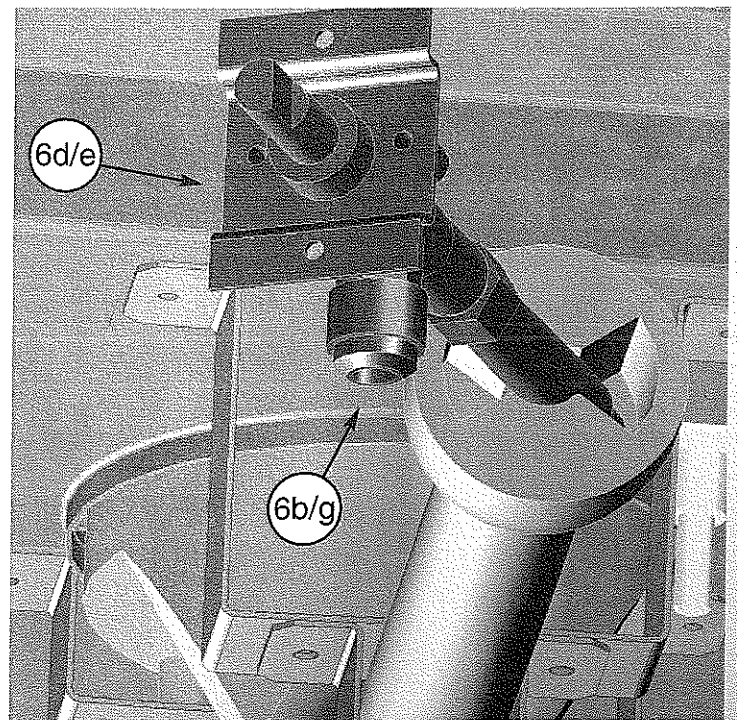
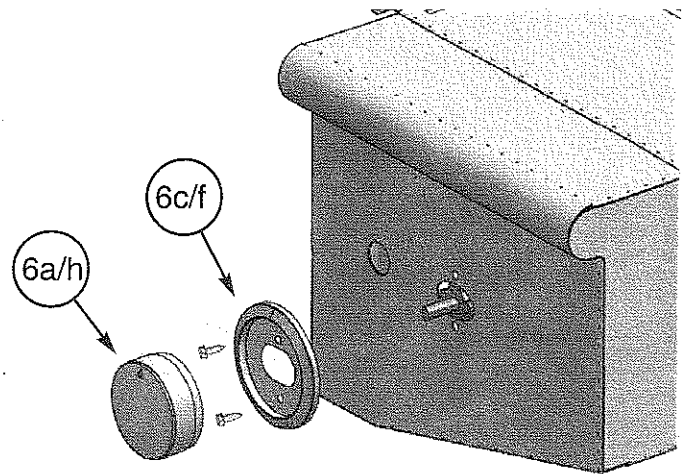
# Amana 30 Natural Gas Conversion Instructions

## Step Six

### Converting the Side Burner to NG

- a. Remove control knob from front of side burner. It should pull off by hand.
- b. Detach the gas line from the valve assembly.
- c. Remove the two (2) screws from the bezel on the front of the side burner and remove bezel. This will loosen the valve assembly.
- d. Remove the L.P. valve assembly from the cast side burner. You will need to angle the valve assembly to remove it from the cast burner.
- e. Insert the new N.G. valve assembly, angling the valve assembly into place. Make certain to align the holes on the valve assembly with the screw holes on the front of the side burner.
- f. Reattach bezel with the two (2) screws.
- g. Attach the hose 27" to the bottom of the new valve assembly.
- h. Reattach control knob to stem of the valve assembly on the front of the side burner.

**This completes the conversion, a leak test should be performed on all fittings.  
See Use and Care manual for leak testing procedure**



Questions?  
**1-800-229-5647**

for written inquiries:  
**Sure Heat Manufacturing**  
**3130 Moon Station Rd**  
**Kennesaw, GA 30144**