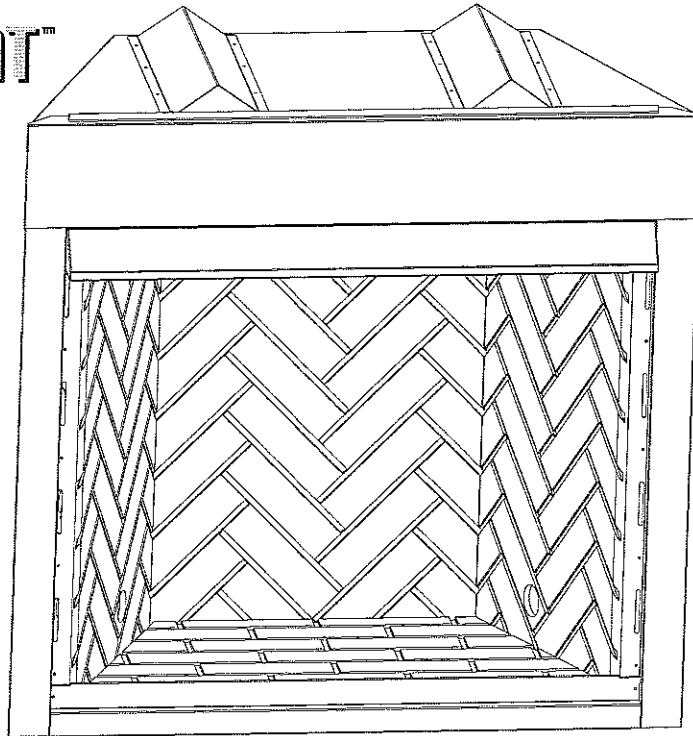
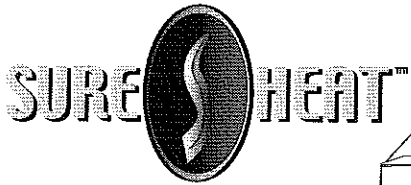


**T H E S A V A N N A H
O U T D O O R S E R I E S**

OUTDOOR STAINLESS STEEL UNIVERSAL FIREBOX
MODEL NUMBERS VFLBS36 VFLBS42



H O M E O W N E R ' S I N S T A L L A T I O N A N D O P E R A T I N G M A N U A L

⚠ WARNING

For Outdoor Use Only.

⚠ WARNING

Improper installation, adjustment, alteration, service or maintenance can cause injury or property damage. Read the installation, operating and maintenance instructions thoroughly before installing or servicing this equipment.

⚠ WARNING

If the information in this manual is not followed exactly, a fire or explosion may result causing property damage, personal injury or loss of life

Do not store or use gasoline or other flammable vapors and liquids in the vicinity of this or any other appliance

Installation and service must be performed by a qualified installer, service agency or the gas supplier.

WHAT TO DO IF YOU SMELL GAS

- Do not try to light any appliance.
- Do not touch any electrical switch; do not use any phone in your building.
- Immediately call your gas supplier from a neighbor's phone. Follow the gas supplier's instructions.
- If you cannot reach your gas supplier, call the fire department.

Installer: Leave this manual with the appliance.
Consumer: Retain this manual for future reference.

CONGRATULATIONS!

INSTALLER/CONSUMER SAFETY INFORMATION

Read and save these instructions.

This book contains your installation instructions and should be kept in a safe place. For you to realize all the advantages and use of the reliable service that has been engineered into your Sure Heat Manufacturing fireplace, you must carefully follow all of the instructions contained in this book regarding installation and operation of the fireplace.

These instructions should be read carefully in their entirety before beginning installation of the fireplace.

It is suggested that you wear work gloves and safety glasses to protect your hands and eyes when installing your fireplace. NOTE: Authorities having jurisdiction (i.e. building inspectors, fire marshals, etc.) should be consulted before installation to determine the need to obtain a permit.

General Installation Information

In planning the installation for the appliance it is necessary to determine where the unit is to be installed and whether optional accessories are desired. Gas supply piping should also be planned. The following steps represent the normal sequence of installation. Each installation is unique, however, and might require a different sequence.

1. Position firebox prior to framing or into prepared framing.
2. Plumb gas line. (Gas connections should only be performed by an experienced, licensed/certified tradesman).
3. Install gas log heater per the instructions provided with the heater.
4. Complete finish wall material, surround and optional hearth extension to your individual taste.

Proposition 65 Warning:
Fuels used in gas, woodburning or oil fired appliances, and the products of combustion of such fuels, contain chemicals known to the State of California to cause cancer, birth defects and other reproductive harm.
California Health & Safety Code Sec. 25249.6

Table of Contents

Safety Information	2-4
Before You Start	5
Hearth Dimensions	6
Fireplace Framing Dimensions	7
Installation Instructions	8-14
Locating the Fireplace	8
Gas Line	8
Clearances	9-10
Installing the Firebox	11
Finishing the Fireplace	12
Weather Protection Doors	13
Replacement Parts	14
Servicing	14
Warranty	16

SAFETY INFORMATION

⚠ WARNING

- Any change to this heater or its controls can be dangerous.
- Improper installation or use of the heater can cause serious injury or death from fire, burns, explosion or carbon monoxide poisoning.

PLEASE READ THE FOLLOWING CAREFULLY

Remove any plastic from trim parts before turning the fireplace "ON".

It is normal for fireplaces fabricated of steel to give off some expansion and/or contraction noises during the start up or cool down cycle. Similar noises are found with your furnace heat exchanger or car engine.

It is not unusual for your Sure Heat gas fireplace to give off some odor the first time it is burned.

This is due to the curing of the paint and any undetected oil used in the manufacturing process.

It is recommended that you burn your fireplace for at least ten (10) continuous hours the first time you use it.

IMPORTANT

Read these instructions carefully before installing or trying to operate a gas heater in this fire-box.

This gas appliance should be installed by a qualified installer in accordance with local building codes and with current CSA-B149.1 Installation codes for Gas Burning Appliances and Equipment.

FOR U.S.A Installations follow local codes and/or the current National Fuel Gas Code. ANSI Z223.1/NFPA 54.

FOR SAFE INSTALLATION AND OPERATION PLEASE NOTE THE FOLLOWING:

1. This appliance gives off high temperatures and should be located out of high traffic areas and away from furniture.
2. Children and adults should be alerted to the hazards of the high surface temperatures of this appliance and should stay away to avoid burns or ignition of clothing.
3. Children should be carefully supervised when they are in the same room as your appliance.
4. Under no circumstances should this appliance be modified. Parts having to be removed for servicing should be replaced prior to operating this appliance again.
5. Installation and any repairs to this appliance should be carried out by a qualified service person. A professional service person should be contacted to inspect this appliance annually. Make it a practice to have all of your gas appliances checked annually. More frequent cleaning may be required due to excess lint and dust from carpeting, bedding material, etc.
6. Control compartments, burners and air passages in this appliance should be kept clean and free of dust and lint. Make sure that the gas valve and pilot light are turned off before you attempt to clean this unit.
7. Keep the area around your appliance clear of combustible materials, gasoline and other flammable vapor and liquids. This appliance should not be used as a drying rack for clothing, nor should Christmas stockings or decorations be hung in the area of it.
8. Under no circumstances should any solid fuels (wood, coal, paper or cardboard etc.) be used in this appliance.
9. The flow of combustion and ventilation air must not be obstructed in any way.
10. Whether the appliance is installed directly on carpeting, vinyl tile or any combustible material other than wood, this appliance must be installed on a metal or wood panel extending the full width and depth of the appliance.
11. This appliance requires adequate ventilation and combustion air to operate properly.

SAFETY INFORMATION

12. Do not use this appliance if any part has been under water. Immediately call a qualified service technician to inspect the appliance and to replace any part of the control system or gas control that has been under water.
13. Inspect the burner before each use of the appliance. The burner must be replaced prior to operation if there is evidence the burner is damaged. Use only burner specified by manufacturer.

LP-cylinder enclosures, if provided by the consumer must conform to the design parameters as detailed below.

Enclosures for LP-Gas Supply Systems

The design of the appliance shall be such that (1) the LP-gas supply cylinder(s) can be connected, disconnected and the connections inspected and tested outside the cylinder enclosure; and (2) those connections which could be disturbed when installing the cylinder(s) in the enclosure can be leak tested inside the enclosure.

Description

The VFLBS Series are radiant fireplaces. Do not burn wood or other materials in these appliances. Each model is available with standing pilot for use with Natural or Propane gas units.

Report to your dealer any parts damaged in shipment.

Adequate combustion and ventilation air must be provided. The flow of combustion and ventilation air **MUST NOT** be obstructed.

Provide adequate clearances around the air opening into the combustion chamber; and adequate accessibility clearance for servicing and proper operation. **NEVER** obstruct the front opening of the appliance.

This fireplace is not designed to be water tight.

Therefore, when installing this unit against an exterior wall, the wall must be finished before setting unit in place.

BEFORE YOU START

You have purchased a stainless steel outdoor firebox. This installation manual will enable you to obtain a safe, efficient and dependable installation of your stainless steel outdoor firebox system.

Do not alter or modify the firebox or its components under any circumstances. Any modifications or alteration of the firebox system, including but not limited to the firebox and accessories, may void the warranty, listings and approvals of this system, and could result in an unsafe and potentially dangerous installation.

Before You Start

Carefully inspect the contents for shipping damage. If any parts are missing or damaged, immediately inform the dealer from whom you purchased the appliance. Do not attempt to install any part of the appliance unless you have all the parts in good condition.

Make Sure That You Have Received All Parts

Check your packing list to verify that all listed parts have been received. You should have the following:

1. Stainless Steel Outdoor Firebox
2. Canopy
3. Installation and Operating Manual
4. Four (4) sheet metal screws for canopy.

What You Will Need For Installation

Tools

- Phillips screwdriver
- Hammer
- Tee Joint
- Level
- Measuring Tape
- Pliers
- Square
- Saw and/or sabersaw
- Electric drill and bits
- Pipe wrench
- Piping complying with local codes
- Pipe sealant approved for use with propane/L.P.G. (resistant to sulfur compounds)


Building Supplies

- Framing materials
- Wall finishing materials
- Caulking material (non-combustible)
- Fireplace surround materials (non-combustible)

Notice:

Illustrations shown in this manual reflect "typical" installations with nominal dimensions and are for design and framing reference only. Actual installations may vary due to individual design preferences. However, always maintain minimum clearances to combustible materials and do not violate any specific installation requirements.

SPECIFICATIONS

VFLBS 36, VFLBS 42

This unit is certified to CSA International No. 4-96 U.S. for Outdoor Gas Fireplaces

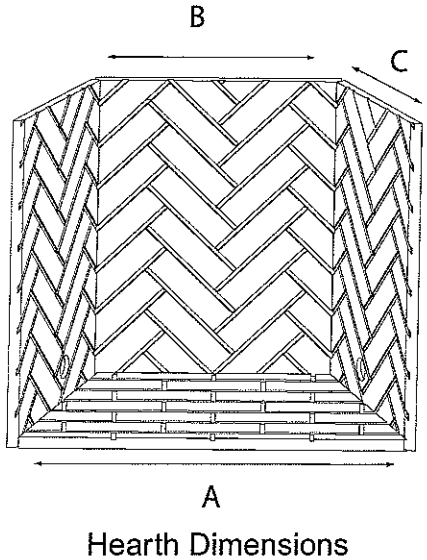


Fig. 1: Firebox
Internal
Dimensions

MODEL	Front Width (Brick to Brick) A	Back Width (Back to Brick) B	Hearth Depth C
VFLBS36	33.5" (851 mm)	20" (507 mm)	17" (432mm)
VFLBS42	39.5" (1002 mm)	26" (660 mm)	17" (432mm)

FRAMING SPECIFICATIONS

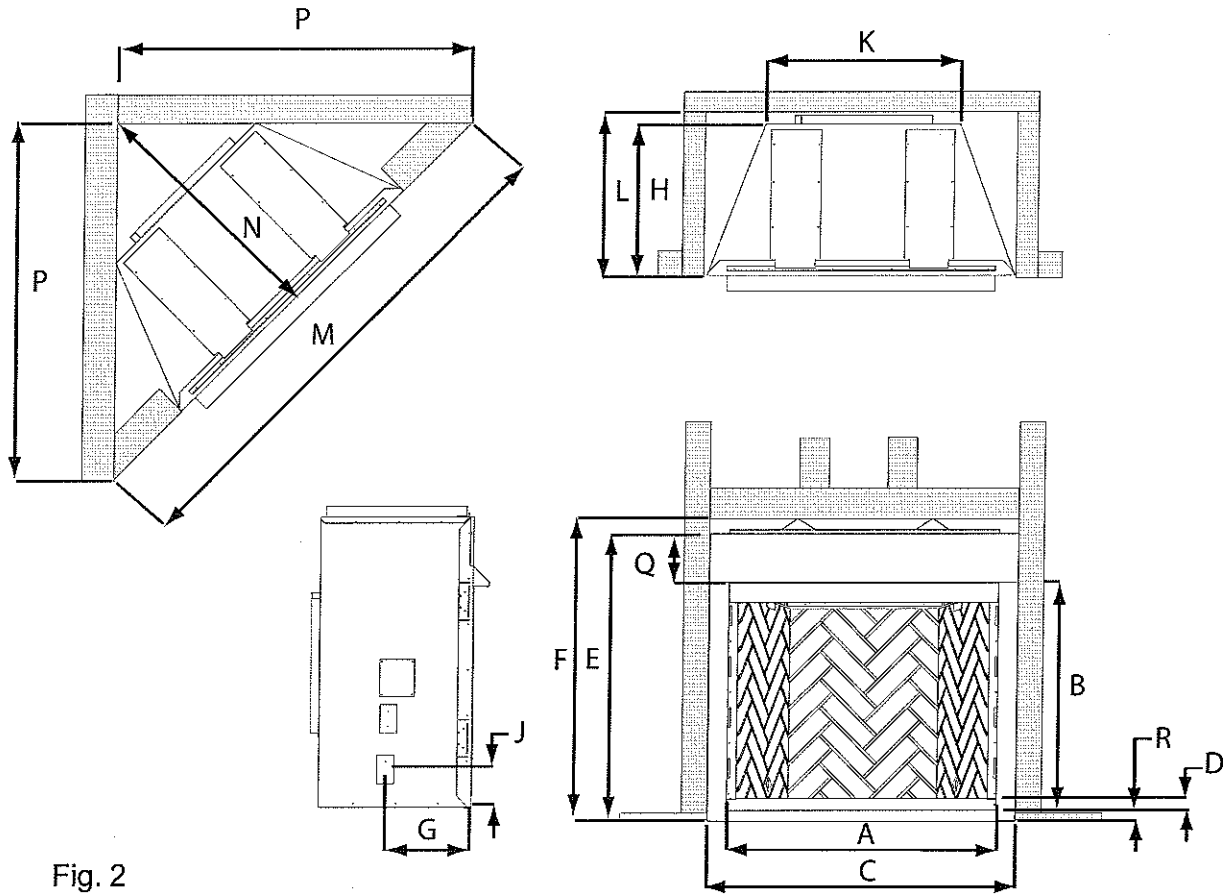


Fig. 2

	VFLBS36	VFLBS42
A	36"	42"
B	30"	30"
C	41"	47"
D	1.5"	1.5"
E	38"	38"
F	40.15"	40.15"
G	11.35"	11.35"
H	20"	20"
J	5"	5"
K	26"	32"
L	21.5"	21.5"
M	66.5"	72.5"
N	33.25"	36.25"
P	47"	51.25"
Q	6.5"	6.5"
R	1.5"	1.5"

INSTALLATION AND INSTRUCTIONS

Locating the Fireplace

Figure 3 shows some of the many ways your fireplace may be installed. Consider the traffic pattern in your outdoor living space and the location of doors and windows.

Your fireplace weighs no more than some of your fine furniture. If the fireplace is located near a load bearing wall, additional supports to the foundation will not be necessary.

HEAVY FACINGS SUCH AS BRICK, STONE, ETC., MAY REQUIRE ADDITIONAL FOUNDATION SUPPORT. ALTHOUGH THIS UNIT MAY BE INSTALLED ON COMBUSTIBLE SURFACES, IT MUST NOT BE INSTALLED ON CARPET OR VINYL.

Gas Line Installation

⚠ WARNING Plumbing connection should only be performed by a qualified, licensed plumber. Main gas supply must be off when plumbing gas line to fireplace or performing service

Consult all local codes. All gas piping must be installed to comply with local codes, or in the absence of local codes, with the latest edition of the national Fuel Gas Code ANSI Z223.1/NFPA54.

The $\frac{1}{2}$ " gas line may enter either from the left side or the right side of the firebox. Gas access holes are provided on both sides of the firebox.

Install a $\frac{1}{2}$ " gas line through the hole provided in the firebox. Outside the firebox, the gas line connects to a gas shut-off valve recessed flush into the wall or floor. The valve should be controlled by a removable valve key for safety.

An ANSI approved manual shut-off valve, union and plugged $\frac{1}{8}$ " NPT pressure tapping point must be installed upstream of the heater.

A sediment trap may be upstream of the heater to prevent moisture and contaminants from passing through trap to the heater controls and burners. Failure to do so could prevent the heater from operating reliably. Consult applicable codes.

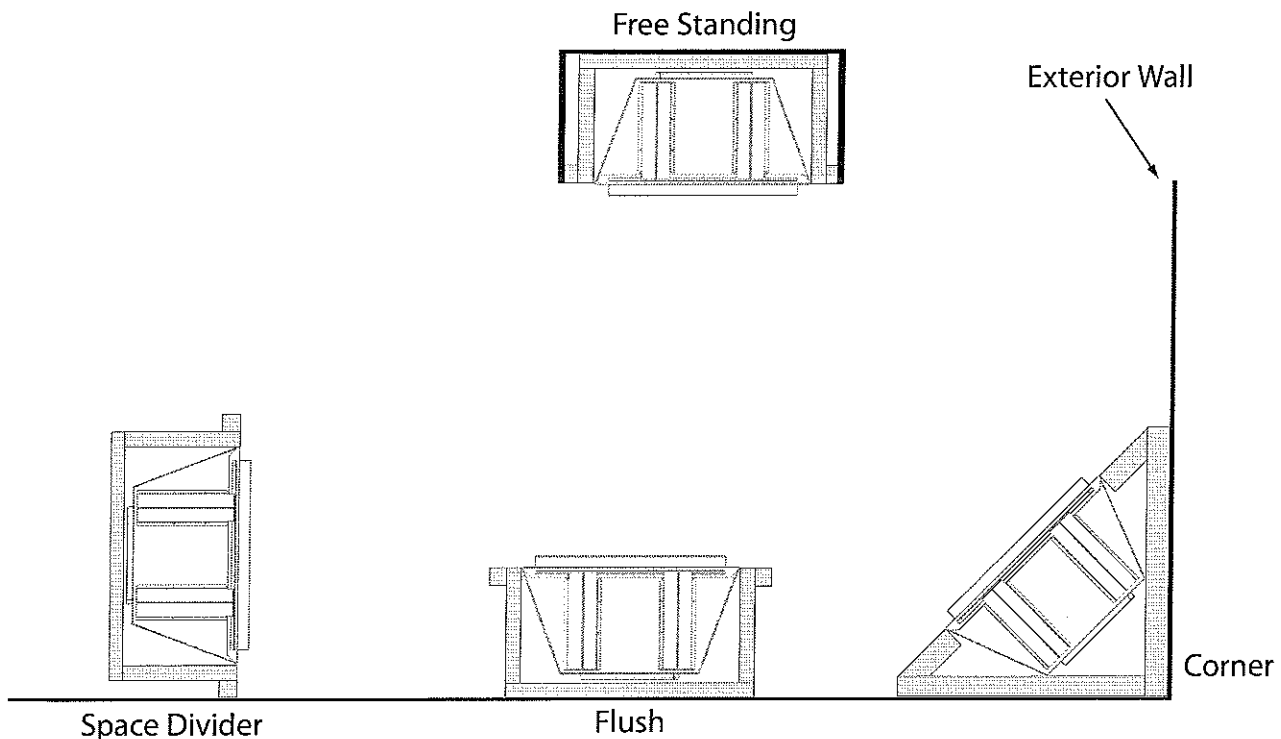


Fig. 3: Locating the Fireplace

INSTALLATION AND INSTRUCTIONS

An external regulator must be used on all propane/L.P.G. heaters, in addition to the regulator fitted to the heater, to reduce the supply tank pressure to 13" w.c. (maximum). Any copper tubing used to supply propane/L.P.G. from the tank must be internally tinned.

NOTE: When connecting propane/L.P.G. outdoor heaters, you must use pipe sealant resistant to propane/L.P.G.

IMPORTANT: Hold heater regulator with a wrench to prevent movement when connecting to inlet piping.

Check Gas Type: The gas supply must be the same as stated on the heater's rating plate. If the gas supply is different, DO NOT INSTALL THE HEATER. Contact our dealer for the correct model.

⚠ WARNING Connecting directly to an unregulated propane/L.P.G. tank can cause an explosion.

After completing connection, test all gas joints from the gas meter to the gas heater regulator for leaks. Using water soap and water solution or a gas sniffer. DO NOT USE AN OPEN FLAME.

⚠ WARNING Do not connect directly to natural gas 1/2 PSI or 2 PSI systems. Always make sure natural gas pressure is regulated 10.5 w.c. (maximum before operating unit).

Fireplace Clearances

The fireplace may be placed directly on a combustible floor, against a combustible wall at marked clearances or on a raised wooden platform.

If the fireplace is to be installed on a raised wooden platform, the platform must be a continuous level surface. The fireplace must be secured in place so it cannot shift positions. The nailing flanges on the sides of the firebox make securing it to the framing easy. They were designed to allow the installation of wallboard or plywood flush with the face of the fireplace.

Only the header (Fig. 2, page 7) may rest on the standoffs on top of the firebox.

When the fireplace is installed over carpeting, vinyl, tile or any combustible material other than wood flooring, it must be installed on a metal or wood panel extending its full width and depth. Alternatively, the carpeting, vinyl, tile, etc., may be removed from beneath the fireplace before installing.

COMBUSTIBLE MATERIALS MUST NOT BE INSTALLED OVER OR TOUCH ANY BLACK PAINTED SURFACE.

INSTALLATION AND INSTRUCTIONS

Clearances

To ensure a safe installation the following instructions must be carefully observed.

1. **Sidewall Clearances:** Clearances from the side of the fireplace opening to any combustible wall should not be less than 9".
2. **Ceiling Clearances:** The ceiling height should not be less than 42" from the top of the fireplace opening.
3. **Mantel Clearances:**
 - a) Noncombustible materials used in this installation such as slate, marble, tile, etc. must comply with local, state, national codes and manufactures specifications. Do not install a combustible material behind sheet metal. Failure to use noncombustible materials above the opening as specified in these instructions may cause damage to the materials used and create a fire hazard.
 - b) A heat reducing mantel guard is shipped with the fireplace. Use of this mantel guard is required in order to reduce mantel heights as shown in figure 5. When the mantel guard is installed, a combustible mantel piece may project 2" from the wall at 6" above the fireplace opening. A 6.5" mantel projection at 13" above the fireplace opening and a 10" projection at 22" above the opening. (Fig 4 and 6)
 - c) If the fireplace has no mantelpiece, then the heat resistant material must extend upwards a distance of at least 9" from the fireplace opening. (Fig. 4)

To install the required mantel guard you will need a 1/4" nut driver or socket. The mantel guard has seven holes along the top edge. There will already be screws in three of the holes. Line up slots in Mantel Guard with holes in the upper channel (top front edge) of the firebox. The mantel guard will fit tightly in the top front edge of the fireplace opening. Attach the mantel guard with the four sheet metal screws provided.

⚠ WARNING The required firebox canopy (mantel guard) supplied with this unit from Sure Heat (the manufacturer) must not be modified or replaced with a canopy (mantel guard) that/which may be provide by the manufacture or supplier of the decorative room heater.

- 1) **Floor Clearances:** No clearance is required if the appliance is installed per these instructions.

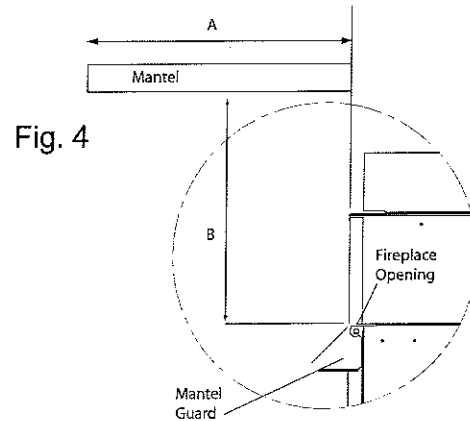


Fig. 4

Clearance to Combustible Mantel with Mantel Guard in place.

Mantel Depth (A)	2"	4"	6"	8"	10"
Clearance Fireplace Opening (B)	6.5"	10"	13"	17"	22"

Fig. 5 Chart

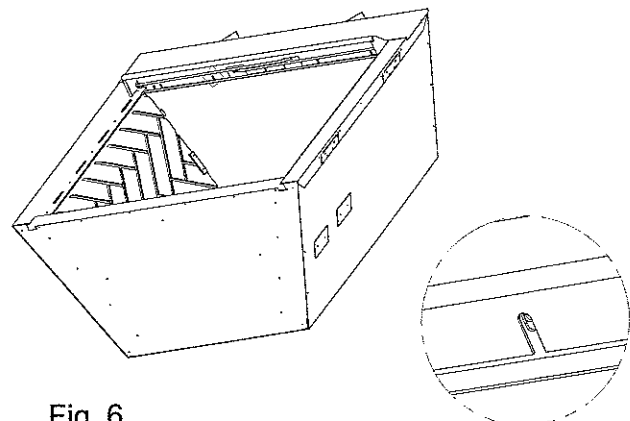


Fig. 6

INSTALLATION AND INSTRUCTIONS

Installing the Firebox

Installation must conform with local codes, or in the absence of local codes, with the National Fuel Gas Code, ANSI Z223.1/NFPA 54.

This list of specific instructions will help you make certain that every installation operation is done correctly. Complete the installation steps in the sequence shown.

LOCAL BUILDING CODES SHOULD BE CONSULTED IN ALL CASES AS TO THE PARTICULAR REQUIREMENTS CONCERNING THE INSTALLATION OF FACTORY BUILT FIREPLACES.

Select the location for the fireplace by taking into consideration the factors previously outlined in the Locating the Fireplace section of this manual.

Step 1: Framing the Firebox

The width of the framed openings must be 37" for 32" models, 41" for 36" models or 47" for 42" models. (Fig. 2, page 7)

The entire fireplace can be elevated above the floor to achieve a raised hearth effect. This can be done by adding a small platform to achieve the desired height.

Step 2: Install the Firebox

Install the firebox into the framed opening by setting it directly in front of the opening and sliding it into the proper position.

Step 3: Level the Firebox

Check the level of the firebox on the top edge of the fireplace face. Shim if necessary.

Step 4: Secure the Firebox

Four (4) nailing flanges are supplied with the fireplace to level the box and secure firmly in place; Bend the nailing flanges from the sides of the fireplace as shown in Figure 7.

Note: The nailing flanges have two (2) sets of holes to allow for adjustment for 1/2" or 5/8" offset of the face of the unit. When installing the nailing flanges, choose the set of holes on the nailing flange that fit with your application.

Note: This firebox employs spacers, stand offs and nailing flanges to inhibit contact of parts of the firebox with combustible construction .

⚠ WARNING do not alter the spacers or divert from their intended use or notch the framing in any manner.

Step 5: Gas Piping and Connection

The gas piping must be installed in accordance with local codes or, in the absence of local codes, in accordance with the National Fuel Gas Code, ANSI Z223.1/NFPA 54, latest edition.

Piping should be tested for leaks prior to final wall installation. Test for leaks, using a soap and water solution or any acceptable solution or mechanical gas leak detector, after completing the connection. **DO NOT USE OPEN FLAME.**

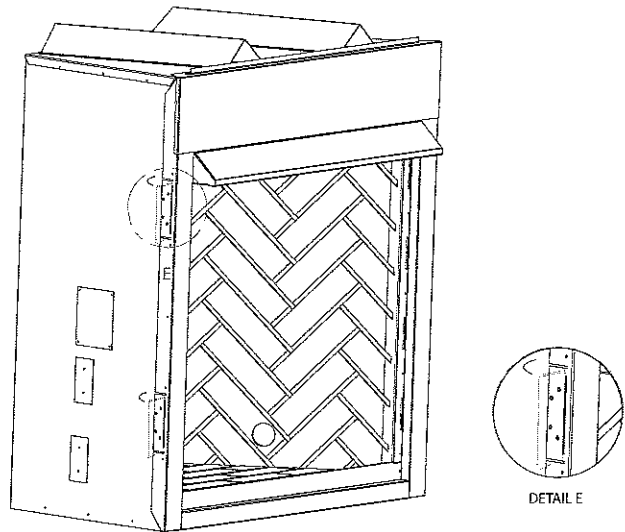


Fig. 7

INSTALLATION AND INSTRUCTIONS

Step 6: Optional Procedure for Cold Climate Installations

The insulation and sealing of the enclosure around the fireplace is very important in cold climates. If the enclosure is insulated and sealed properly, you can avoid future cold air problems. The time taken to install the firebox correctly is well worthwhile. The following steps are to stop potential cold air problems. (Do not use Kraft Faced insulation - paper faced)

Insulation of the Fireplace Enclosure

When in a chase or an outside wall, the fireplace enclosure should be insulated like any other wall of your home. Insulation should be installed on the outside wall(s) and the wall about the fireplace. (Do not use Kraft Faced insulation - paper faced.)

Insulate to Seal Under the Fireplace

Insulating under the fireplace is beneficial for installations on a concrete slab in cold weather climates. The fireplace should be placed on insulating board. It is important that a hard, rigid surface be maintained, so do not use fiberglass insulation for this purpose.

⚠ CAUTION WHEN INSTALLING A FIREPLACE IN AN INSULATED ENCLOSURE, BE SURE TO MAINTAIN ALL MARKED AIR SPACES. DO NOT USE KRAFT (PAPER FACED) INSULATION .

Seal Seams

Sealing the seams of the fireplace is beneficial for installations in cold weather climates where the outer wall meets the bottom pan and the front face. Also seal between the fireplace and finishing materials. Use **high temperature** caulk. Refer to Figure 8 for details of sealing spaces between the firebox and finishing materials.

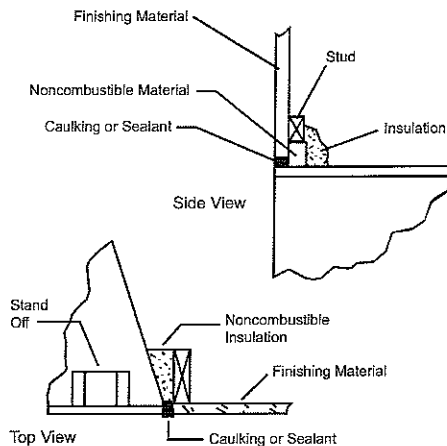


Fig. 8

Finishing the Fireplace

There are a wide variety of finishing materials available for your fireplace from formal wall treatments with marble and mantles to rustic wood paneling, stone or brick.

IT IS IMPORTANT THAT THE BLACK FACE OF THE FIREPLACE NOT BE COVERED WITH ANY TYPE OF COMBUSTIBLE MATERIAL.

Noncombustible facing materials such as marble, brick or ceramic tile may overlap the black face of the fireplace up to the opening on either side of the fireplace. Seal all joints between the black fireplace face and the wall covering with a heat-resistant material such as rock wool insulation or mortar. Be sure to use high temperature adhesive or mortar when anchoring brick, stone or tile to the face of the fireplace. Check to see whether man-made brick and stone are made of noncombustible materials before using them on the face of the fireplace. Some of these products contain combustible materials. Combustible wall coverings such as paneling or wallboard may not overlap the black face of the fireplace. The space between the wall covering and the fireplace should be sealed with a heat-resistant material such as rock wool insulation or mortar.

NOTE: An "L" shaped steel lintel must be installed across the top of the firebox opening where facing materials such as brick or stone are used on the face of the firebox. It acts as a support/firestop. It should be attached to the face of the fireplace with screws and sealed to the fireplace with a heat-resistant sealer.

⚠ WARNING These vent free fireplaces are not to be used with any TYPE or MODEL of glass doors.

⚠ WARNING Fireplace screens must be in the closed position across the entire hearth opening prior to the operation of the decorative room heater.

INSTALLATION AND INSTRUCTIONS

Weather Protection Doors

⚠ WARNING Weather Protection Door(s) must be removed while fireplace, logs and burner are in use.

Both weather protection doors must be completely removed from the fireplace before gas logs are placed in use and while logs are burning.

⚠ CAUTION Handles on the outside of doors may be warm/hot to the touch due to previous fireplace use or by temperatures created by the sun. It is suggested for your safety gloves are worn while removing or replacing the weather protection doors.

NOTE: Weather protection doors are not water tight, but are weather resistant. Visual inspection of the combustion chamber and log set is recommended prior to each use.

Use and Maintenance

Doors are easily removed by grasping the provided handles and slightly lifting up, pulling the doors gently out towards user.

Doors should be stored in a convenient area and away from the fireplace while unit is in use.

To replace doors it is recommended to wait an appropriate time until the outside surround and screen mesh of the fireplace have cooled to at least ambient air temperature.

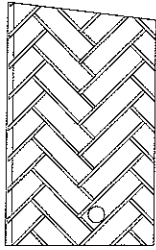
To replace weather protection doors, grasp the handles (gloves recommended) and gently place top edge under mantle guard and gently push up while placing the lower edge slots in holding stubs on bottom of front surround.

NOTE: Doors in the applied position (attached) purposely overlap on the center vertical edge for better weather protection.

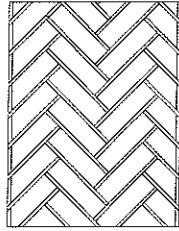
Weather Protection Doors may be cleaned by gently wiping the surface with any commercial grade stainless steel cleaner.

⚠ CAUTION Do not use any cleaners or chemicals no specifically manufactured for cleaning or polishing stainless steel finishes. This may result in damaging the door(s) finish.

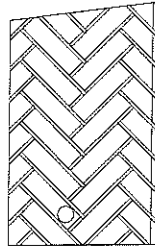
PARTS AND SERVICING



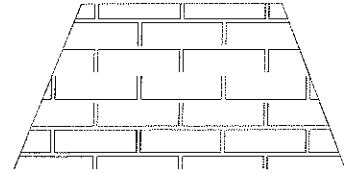
1



2



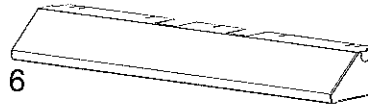
3



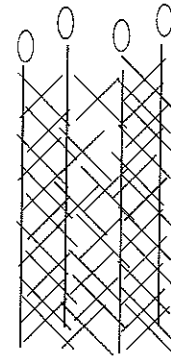
4



5



6



7

		VFLBS36	VFLBS42
1	Firebrick Left	21361101	21421101
2	Firebrick Middle	23361201	23421201
3	Firebrick Right	21361301	21421301
4	Firebrick Bottom	21361401	21421401
5	Screen Mesh Wire	20361301	20421301
6	Mantel Guard	21361401	21421401
7	Screen Mesh	21362001	21422001

Contact Sure Heat Manufacturing for questions concerning prices and policies covering replacement parts. Parts may be ordered through your Sure Heat distributor or dealer.

You will need the correct name, part number and model number of the appliance when ordering replacement parts.

Should you need additional information beyond what your dealer can furnish, contact:

Sure Heat Manufacturing
3130 Moon Station Road
Kennesaw, GA 30144
(800) 229-5647

Servicing

Repair and replacement work should only be done by a qualified service person.

Always shut off the gas supply and make sure the appliance is cool before beginning any service operation.

Always check for gas leaks after servicing.

www.sureheat.com

LIMITED LIFETIME WARRANTY

Limited Warranty shall apply to the original purchaser at the original installation point only

The following components are warranted for life to the original owner, subject of proof of purchase: Firebox, Combustion Chamber, Heat Exchanger.

General Warranty: This Limited Lifetime Warranty will be void if the appliance is not installed by a qualified installer in accordance with the installation instructions. The Limited Lifetime Warranty will also be void if the appliance is not operated and maintained according to the operating instructions supplied with the appliance, and does not extend to (1) firebox assembly damage by accident, neglect, misuse, abuse, alteration, negligence of others, including the installation thereof by unqualified installers, (2) the costs of removal, reinstallation or transportation of defective parts on the appliance, or (3) incidental or consequential damage. All service work must be performed by an authorized service representative.

This warranty is expressly in lieu of other warranties, express or implied, including the warranty of the merchantability of fitness for the purpose and of all other obligations or liabilities. Sure Heat Mfg. Co. does not assume for it any other obligations or liabilities in connection with the sale or use of the appliance. In states that do not allow limitation on how long an implied warranty lasts, or do not allow exclusion of indirect damage, those limitations of exclusions may not apply to you. You may also have the additional rights not covered in this Limited Lifetime Warranty.

Sure Heat Mfg. Co. reserves the right to investigate any and all claims against the Limited Lifetime Warranty and decide upon method of settlement.

All costs for removal and reinstallation are the expressed responsibility of the purchaser.

For repair or replacement of a defective part or parts, contact our customer service department at 1-800-229-5647. You will be asked to provide valid warranty registration, proof of purchase and model number.

Purchased From: _____ Date: _____

Size: VFLBS36 VFLBS42

Name _____ Date: _____ Phone () _____

Address _____

City _____ State _____ Zip _____

E-mail _____

If you have other questions, please contact Customer Service Hotline
(800) 229-5647

RMH130-51512001

01/09/2006